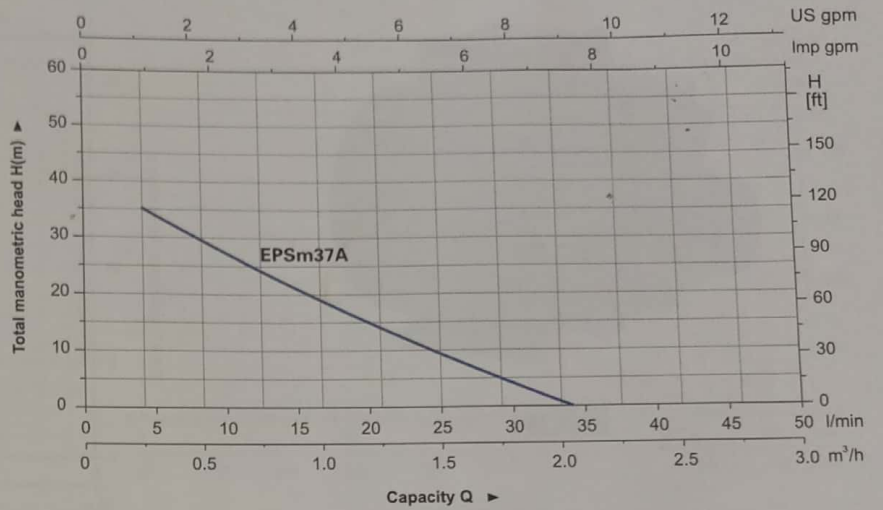


well pump ✓



EPSm

HYDRAULIC PERFORMANCE CURVE



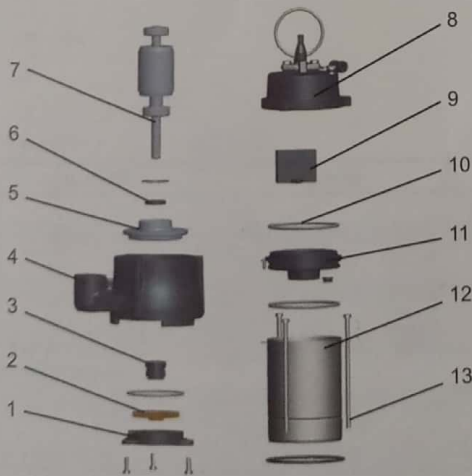
PUMP

- Submersible peripheral pump
- Special anti-rust treatment for cast iron pump body
- Max. fluid temperature: +40°C
- Max. immersion depth: 5 m
- Liquid PH value: 6.5 – 8
- Maximum sand content: 1%
- Maximum solid diameter: 0.2 mm

MODEL	POWER		OUTLET	MAX.FLOW (L/min)	MAX.HEAD (m)	MAX. IMMERSION (m)
	(kW)	(HP)				
EPSm37A	0.37	0.5	1"	35	42	5

MOTOR

- Motor with copper winding
- Insulation class: F
- Protection class: IPX8



Part	
1	Casing cover
2	Impeller
3	Mechanical seal
4	Pump body
5	Lower bearing seat
6	Oil seal
7	Rotor
8	Top cover
9	Capacitor
10	O-ring
11	Upper bearing seat
12	Barrel
13	Screw