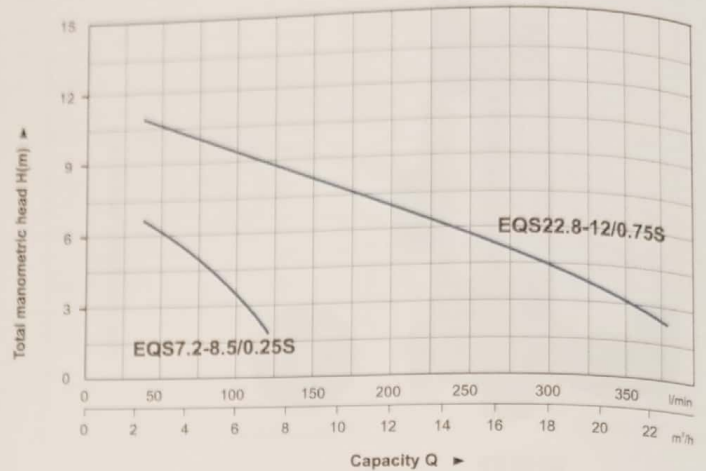


*Drainage*



**EQS**

### HYDRAULIC PERFORMANCE CURVE



### Application

- Small electrical irrigation and drainage equipments
- Particularly applied in urban well water pumping, field irrigation and drainage, garden irrigation and household water supply, as well as drainage of industrial accumulated water, water supply and drainage for construction, livestock breeding, etc.

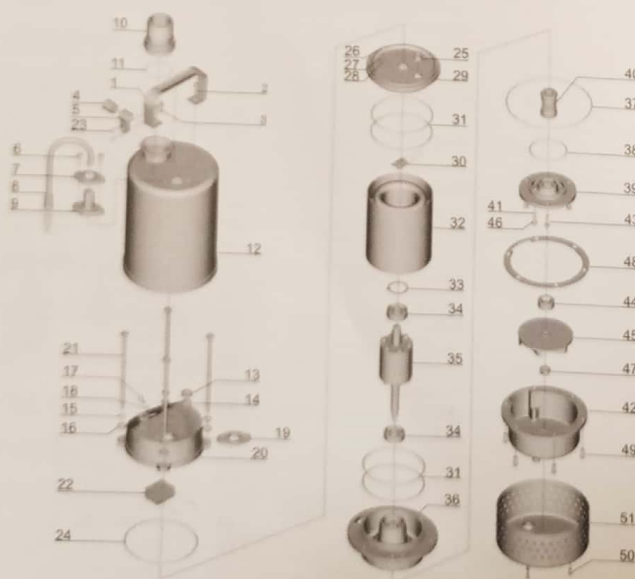
### Pump

- Copper winding
- Built-in thermal protector
- Stainless steel welded shaft
- Insulation class: B
- Protection class: IP68

### Motor

- Stainless steel pump body
- Max. immersion depth: 5 m
- Max. liquid temperature: +40°C
- Liquid pH value: 4 – 10
- Max. liquid density:  $1.03 \times 10^3 \text{ kg/m}^3$

MODEL	POWER		OUTLET (mm)	VOLTAGE (V/Hz)	MAX.FLOW (L/min)	MAX.HEAD (m)
	(kW)	(HP)				
EQS7.2-8.5/0.25S	0.25	0.33	40,32,25	220/50	120	8.5
EQS22.8-12/0.75S	0.75	1.0	50	220/50	380	12



Part		Part	
1	Handle	27	Stretching washer
2	Screw	28	Washer
3	Nut	29	Motor cover
4	Protector	30	Thermal protector
5	Cable presser	31	O-ring
6	Screw	32	Stator
7	Flange	33	Wave washer
8	Cable	34	Ball bearing
9	Cable protector	35	Rotor
10	Connector	36	Connection part
11	O-ring	37	O-ring
12	Motor shell	38	O-ring
13	Rubber washer	39	Oil chamber cover
14	Washer	40	Mechanical seal
15	Stretching washer	41	O-ring
16	Washer	42	Pump body
17	Screw	43	Screw
18	O-ring	44	Oil seal
19	Rubber washer	45	Impeller
20	Capacitor cover	46	Screw
21	Bolt	47	Nut
22	Capacitor	48	Rubber washer
23	Screw	49	Screw
24	O-ring	50	Screw
25	Cable holder	51	Filter mesh
26	Screw		