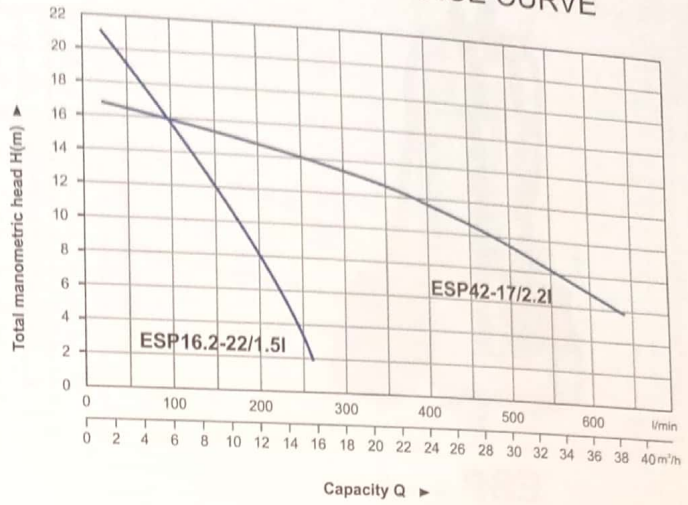


drainage



ESP

HYDRAULIC PERFORMANCE CURVE



Application

- Wastewater drainage in factories, construction sites and commercial facilities
- Drainage system in municipal sewage treatment plants
- Drainage station in residential quarters
- Municipal projects
- Methane pools and field irrigation in countryside

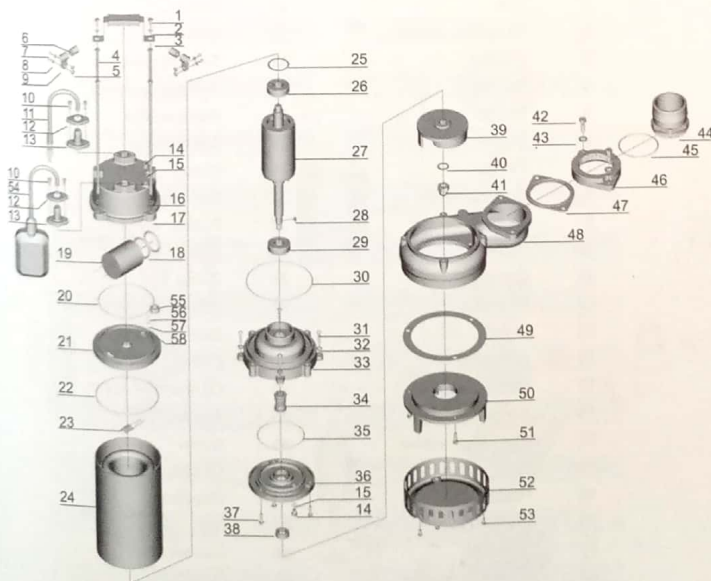
Pump

- Max. immersion depth: 5 m
- Max. liquid temperature: +40°C
- Liquid pH value: 4 – 10
- Liquid kinematic viscosity: $7 \times 10^{-7} \sim 23 \times 10^{-6} \text{ m}^2/\text{s}$
- Max. liquid density: $1.2 \times 10^3 \text{ kg/m}^3$

Motor

- Copper winding
- Built-in thermal protector
- Stainless steel welded shaft
- Insulation class: B
- Protection class: IP68

MODEL	POWER		OUTLET (mm)	VOLTAGE (V/Hz)	MAX.FLOW (L/min)	MAX.HEAD (m)	MAX.DIA. OF PARTICLE (mm)
	(kW)	(HP)					
ESP16.2-22/1.5I	1.5	2.0	40	220/50	270	22	10
ESP42-17/2.2I	2.2	3.0	75	220/50	700	17	20



Part		Part	
1	Bolt	30	O-ring
2	Washer	31	Screw
3	Handle	32	Stretching washer
4	Bolt	33	Connection part
5	Nut	34	Mechanical seal
6	Protector	35	O-ring
7	Screw	36	Oil chamber cover
8	Washer	37	Bolt
9	Cable presser	38	Oil seal
10	Screw	39	Impepller
11	Cable	40	Washer
12	Flange	41	Nut
13	Cable protector	42	Bolt
14	Bolt	43	Washer
15	O-ing	44	Connector
16	Stretching washer	45	O-ring
17	Capacitor cover	46	Connector nut
18	O-ring	47	Rubber washer
19	Capacitor	48	Pump body
20	O-ring	49	Rubber washe
21	Motor cover	50	Pump body
22	O-ring	51	Bolt
23	Thermal protector	52	Filter mesh
24	Stator	53	Screw
25	Wave washer	54	Float switch
26	Ball bearing	55	Cable holder
27	Rotor	56	Screw
28	Key	57	Stretching washer
29	Ball bearing	58	Washer