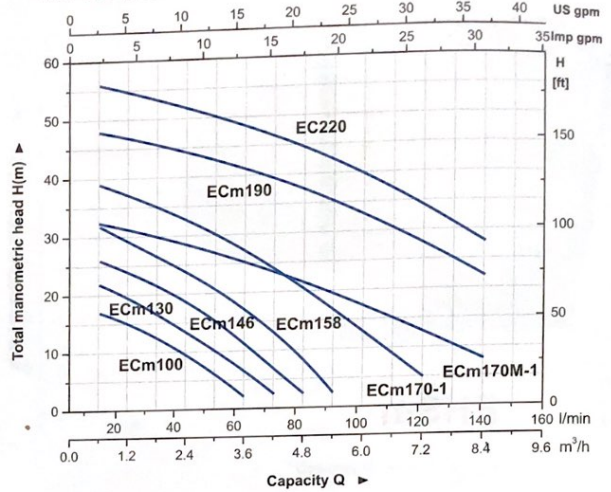




**ECm**

### HYDRAULIC PERFORMANCE CURVE



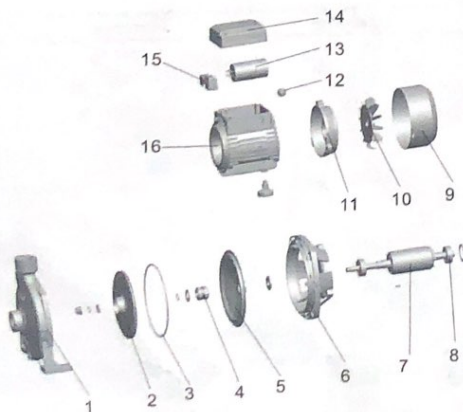
### PUMP

- Transfer of clean water or non-aggressive liquid
- Special anti-rust treatment for pump body and support
- Max. liquid temperature: +60°C
- Max. suction: +8 m

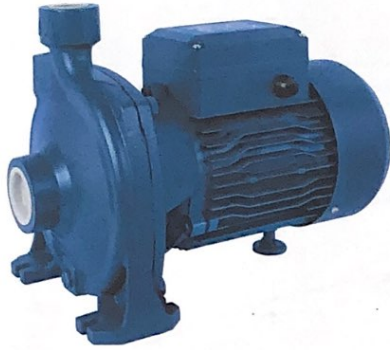
### MOTOR

- Copper winding
- Built-in thermal protector for single phase motor
- Insulation class: F
- Protection class: IPX4
- Max. ambient temperature: +40°C

MODEL	POWER		INLET/OUTLET	MAX.FLOW (L/min)	MAX.HEAD (m)	MAX.SUCT (m)
	(kW)	(HP)				
ECm100	0.25	0.33	1" x 1"	60	17.5	8
ECm130	0.37	0.5	1" x 1"	70	23	8
ECm146	0.60	0.8	1" x 1"	80	27	8
ECm158	0.75	1.0	1" x 1"	90	33	8
ECm170-1	1.1	1.5	1" x 1"	120	41	8
ECm170M-1	1.1	1.5	1 1/4" x 1"	140	33	8
ECm190	1.5	2.0	1 1/4" x 1"	140	50	8
EC220	2.2	3.0	1 1/4" x 1"	150	58	8

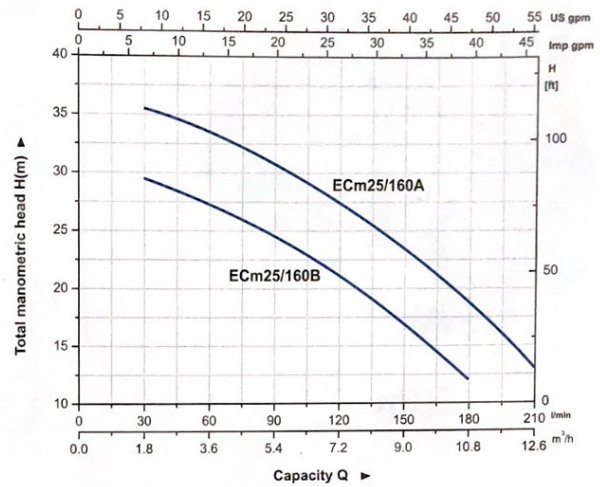


Part	Material	Remark
1 Pump body	Cast iron	E-coating
2 Impeller	Brass/Noryl/Stainless steel	
3 Sealing ring	NBR	
4 Mechanical seal	Ceramic/Carbon	
5 Bracket cover	Stainless steel	
6 Support	Aluminum	
7 Rotor	Cold-rolled sheet	
8 Bearing		
9 Fan cover	Iron	
10 Fan	Noryl	
11 End plate	Aluminum	
12 Outlet nozzle	NBR	
13 Capacitor		
14 Cover box	ABS	
15 Wire holder assembly		
16 Stator	Aluminum casting	Cold-rolled sheet



**ECm**

**HYDRAULIC PERFORMANCE CURVE**



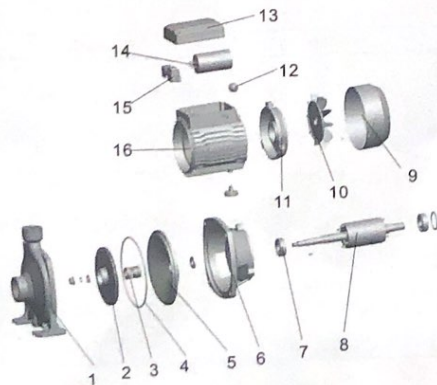
**PUMP**

- Transfer of clean water or non-aggressive liquid
- Special anti-rust treatment for pump body and support
- Max. liquid temperature: +60°C
- Max. suction: +8 m

MODEL	POWER		INLET/OUTLET	MAX.FLOW (L/min)	MAX.HEAD (m)	MAX.SUCT (m)
	(kW)	(HP)				
ECm25/160A	1.5	2.0	1 1/2" x 1"	210	37	8
ECm25/160B	1.1	1.5	1 1/2" x 1"	180	31	8

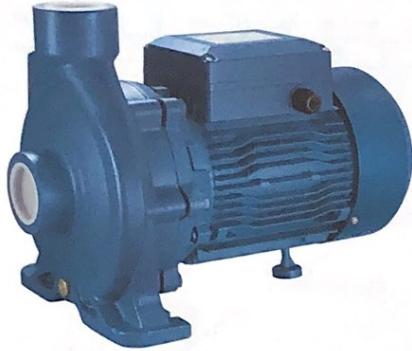
**MOTOR**

- Copper winding
- Built-in thermal protector for single phase motor
- Insulation class: F
- Protection class: IPX4
- Max. ambient temperature: +40°C



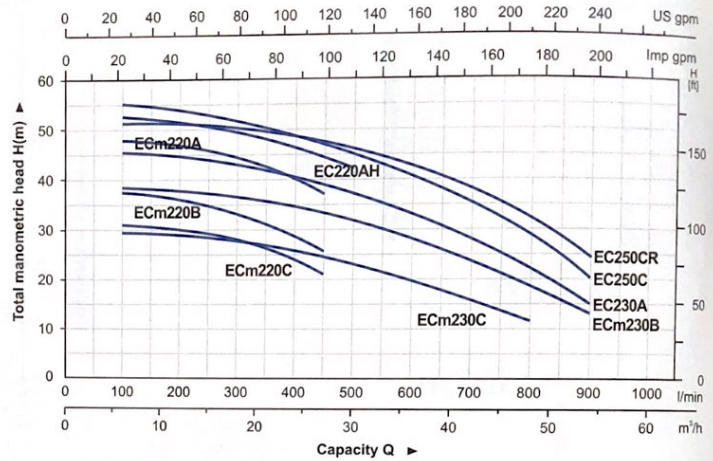
Part	Material	Remark
1 Pump body	Cast iron	E-coating
2 Impeller	Brass/Stainless steel	
3 Sealing ring	NBR	
4 Mechanical seal	Ceramic/Carbon	
5 Bracket cover	Cast iron	E-coating
6 Support	Aluminum	
7 Bearing		Welded stainless steel shaft
8 Rotor	Cold-rolled sheet	
9 Fan cover	Iron	
10 Fan	Noryl	
11 End plate	Cast iron	
12 Outlet nozzle	NBR	
13 Cover box	ABS	
14 Capacitor		
15 Terminal		
16 Stator	Aluminum casting	Cold-rolled sheet





**ECm**

### HYDRAULIC PERFORMANCE CURVE



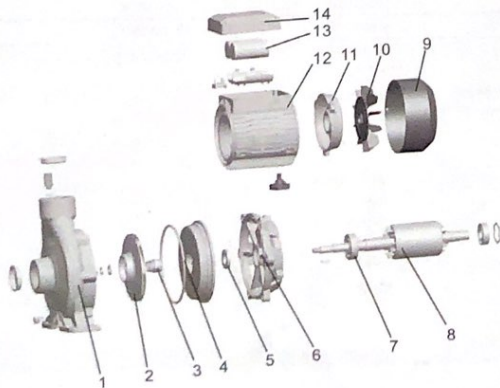
### PUMP

- Cast iron pump body and support under special anti-rust treatment
- AISI 304 shaft
- Max. liquid temperature: +60°C
- Max. suction: +8 m

### MOTOR

- C&U braring
- Motor with copper winding
- Insulation class: F
- Protection class: IPX4
- Max. ambient temperature: +40°C

MODEL	POWER		INLET/OUTLET	MAX.FLOW (L/min)	MAX.HEAD (m)	MAX.SUCT (m)
	(kW)	(HP)				
✓ ECm220C	2.2	3	2" x2"	400	31	8
✓ ECm220B	3	4	2" x2"	450	38	8
✓ ECm220A	4	5.5	2" x2"	450	49	8
✓ EC220AH	5.5	7.5	2" x2"	500	54	8
ECm230C	3	4	2" x2"	800	60	8
EC230B	4	5	2" x2"	900	39	8
EC230A	5.5	7.5	2" x2"	900	46.5	8
✓ EC250C	7.5	10	2" x2"	900	56.5	8
EC250CR	7.5	10	4" x3"	900	52.5	8



Part	Material	Remark
1 Pump body	HT200	
2 Impeller	AISI 304 Brass	
3 Mechanical seal	Carbon/Ceramic	
4 Bracket cover	HT200	
5 Oil seal		
6 Support	HT200	
7 Bearing		
8 Rotor		
9 Fan cover	PP	Welded stainless steel shaft
10 Fan	PP	
11 Rear cover	ZI102	
12 Stator		
13 Capacitor		Cold-rolled sheet
14 Terminal box	ABS	