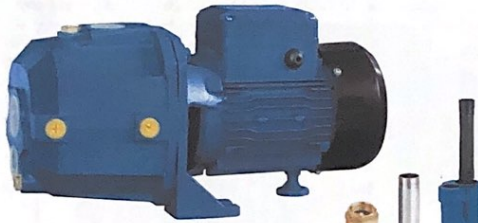
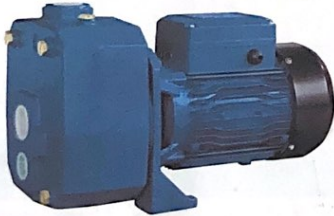


*well pump*

Jet Pumps for Deep Wells

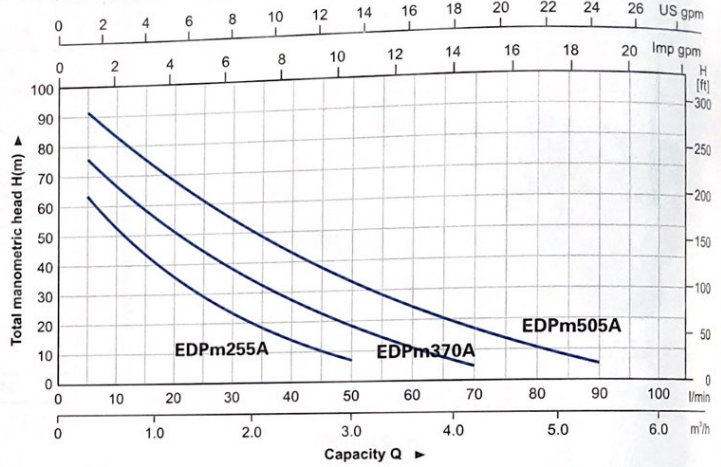


**EDPm255A/EDPm370A**



**EDPm505A**

**HYDRAULIC PERFORMANCE CURVE**



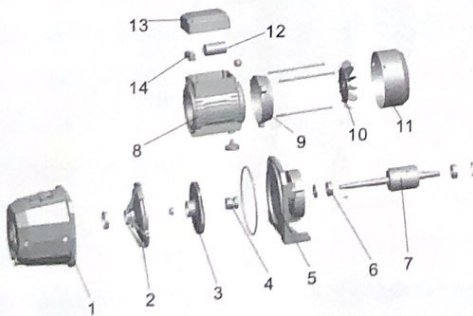
MODEL	POWER		INLET/OUTLET	MAX.FLOW (L/min)	MAX.HEAD (m)	MAX.SUCT (m)
	(kW)	(HP)				
EDPm255A	0.55	0.75	1 1/4" x 1" x 1"	75	60	25
EDPm370A	0.75	1.0	1 1/4" x 1" x 1"	85	80	25
EDPm505A	1.1	1.5	1 1/4" x 1" x 1"	100	100	35

**PUMP**

- Transfer of clean water or non-aggressive liquid
- Special anti-rust treatment for pump body and support
- AISI 304 shaft
- Max. liquid temperature: +40°C
- Head up to 100 m
- Suction up to 45 m

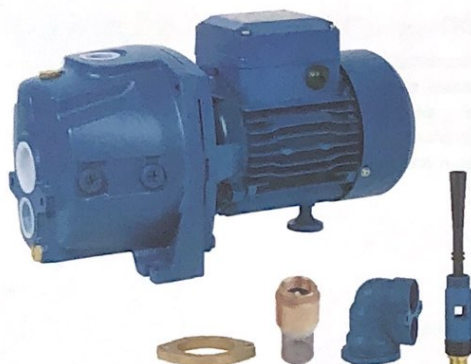
**MOTOR**

- Copper winding
- Built-in thermal protector
- Insulation class: F
- Protection class: IPX4
- Max. ambient temperature: +40°C

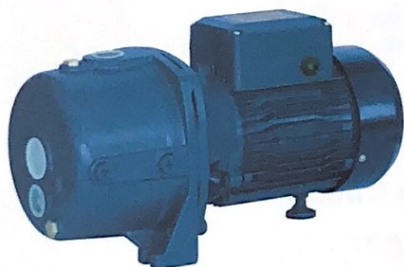


Part	Material	Remark
1 Pump body	Cast iron	E-coating
2 Discharge cover	PPO	
3 Impeller	Brass	
4 Mechanical seal	Ceramic/Carbon	
5 Bracket	Cast iron	E-coating
6 Bearing		
7 Rotor		
8 Stator		Welded stainless steel shaft
9 End plate	Aluminum casting	
10 Fan	Aluminum	
11 Fan cover	PP	
12 Capacitor	Iron	
13 Cover box		
14 Terminal	ABS	

well pump

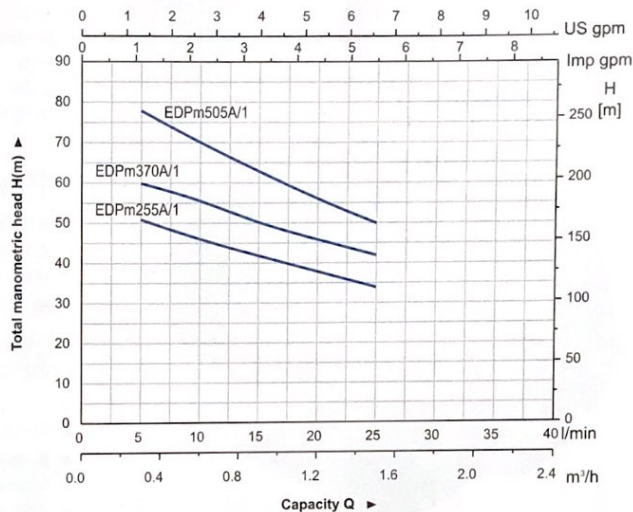


**EDPm255A/1/EDPm370A/1**



**EDPm505A/1**

**HYDRAULIC PERFORMANCE CURVE**



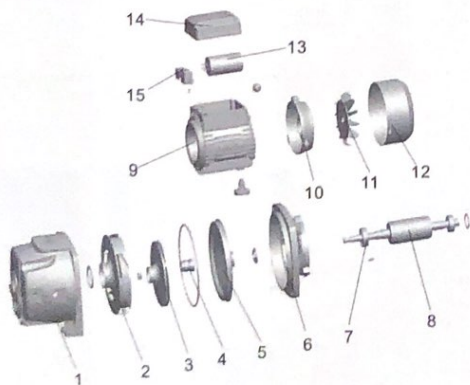
MODEL	POWER		INLET/OUTLET	MAX.FLOW (L/min)	MAX.HEAD (m)	MAX.SUCT (m)
	(kW)	(HP)				
EDPm255A/1	0.55	0.75	1 1/4" x 1" x 1"	35	57	25
EDPm370A/1	0.75	1.0	1 1/4" x 1" x 1"	35	66	35
EDPm505A/1	1.1	1.5	1 1/4" x 1" x 1"	35	85	45

**PUMP**

- Transfer of clean water or non-aggressive liquid
- Special anti-rust treatment for pump body and support
- AISI 304 shaft
- Max. liquid temperature: +40°C
- Head up to 100 m
- Suction up to 50 m

**MOTOR**

- Copper winding
- Built-in thermal protector
- Insulation class: F
- Protection class: IPX4
- Max. ambient temperature: +40°C



Part	Material	Remark
1 Pump body	Cast iron	E-coating
2 Discharge cover	Noryl	
3 Impeller	Brass	
4 Mechanical seal	Ceramic/Carbon	
5 Bracket cover	Stainless steel	
6 Support	Aluminum	
7 Rotor	Cold-rolled sheet	Welded stainless steel shaft
8 Bearing		
9 Stator	Aluminum casting	Cold-rolled sheet
10 End plate	Aluminum	
11 Fan	Noryl	
12 Fan cover	Iron	
13 Capacitor		
14 Cover box	ABS	
15 Terminal		