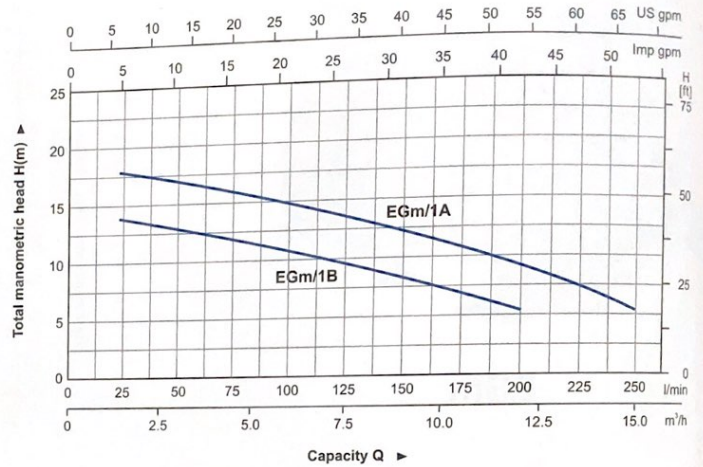




EGm

HYDRAULIC PERFORMANCE CURVE



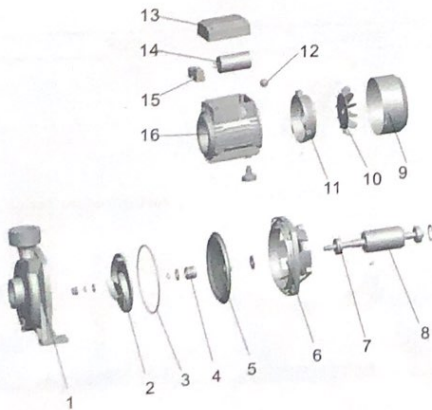
PUMP

- Transfer of clean water or non-aggressive liquid
- Special anti-rust treatment for pump body and support
- Max. liquid temperature: +60°C
- Max. suction: +8 m

MODEL	POWER		INLET/OUTLET	MAX.FLOW (L/min)	MAX.HEAD (m)	MAX.SUCT (m)
	(kW)	(HP)				
EGm/1B	0.6	0.8	1 1/2" x 1 1/2"	200	15	8
EGm/1A	0.75	1.0	1 1/2" x 1 1/2"	250	19	8

MOTOR

- Copper winding
- Built-in thermal protector for single phase motor
- Insulation class: F
- Protection class: IPX4
- Max. ambient temperature: +40°C



Part	Material	Remark
1 Pump body	Cast iron	
2 Impeller	Brass	E-coating
3 Mechanical seal	Ceramic/Carbon	
4 Sealing ring	NBR	
5 Bracket cover	Stainless steel	
6 Support	Cast iron	E-coating
7 Bearing		
8 Rotor		
9 Fan cover	Cold-rolled sheet	Welded stainless steel sheet
10 Fan	Iron	
11 End plate	Noryl	
12 Outlet nozzle	Aluminum	
13 Cover box	NBR	
14 Capacitor	ABS	
15 Terminal		
16 Stator	Aluminum casting	Cold-rolled sheet