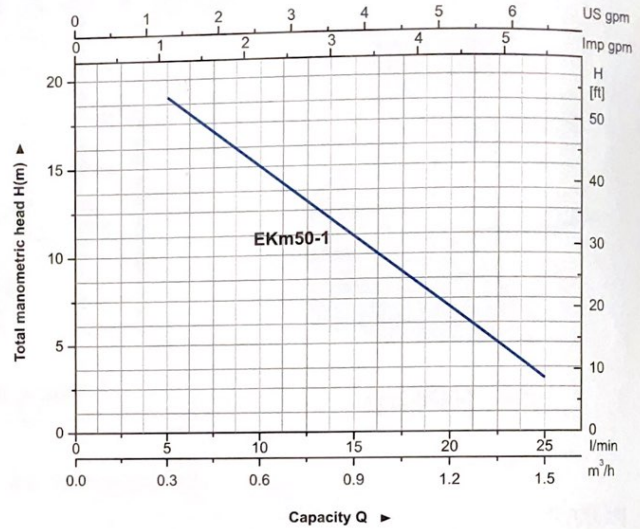


WATER



EKm

HYDRAULIC PERFORMANCE CURVE



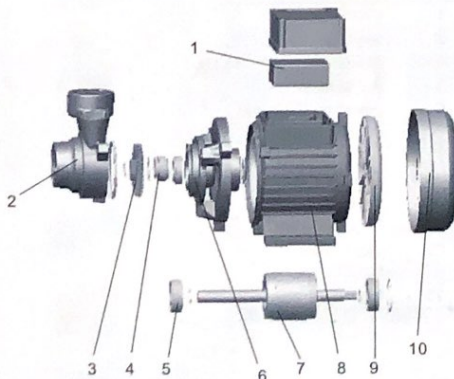
PUMP

- Transfer of clean water or non-aggressive liquid
- Brass impeller
- Special anti-rust treatment for pump body and support
- Max. liquid temperature: +60°C
- Max. suction: +8 m

MODEL	POWER		INLET/OUTLET	MAX.FLOW (L/min)	MAX.HEAD (m)	MAX.SUCT (m)
	(kW)	(HP)				
EKm50-1	0.11	0.15	1" x 1"	25	23	8

MOTOR

- Copper winding
- Built-in thermal protector for single phase motor
- Insulation class: F
- Protection class: IPX4
- Max. ambient temperature: +40°C



Part	Material	Remark
1	Capacitor	
2	Pump body	Cast iron E-coating
3	Impeller	Brass
4	Mechanical seal	Ceramic/Carbon
5	Bearing	
6	Support	Cast iron E-coating
7	Rotor	Welded stainless steel shaft
8	Stator	Aluminum casting
9	Fan	PP
10	Fan cover	PP