

well pump

Garden Submersible Pumps



EKS

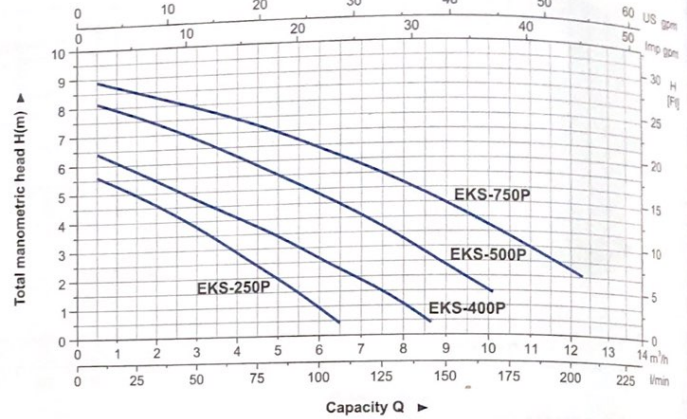
APPLICATIONS

- Can be used to transfer clean or slightly dirty water or other liquids similar to water in physical and chemical properties
- Suitable to be immersed in water for lifting water from the well or the pool, and draining water from the basement

PUMP

- Engineering plastic pump body
- Float switch ensures automatic cut-in and cut-out
- Max. liquid temperature: +35°C
- Max. immersion depth: 7 m
- Max. diameter of particle: 5 mm

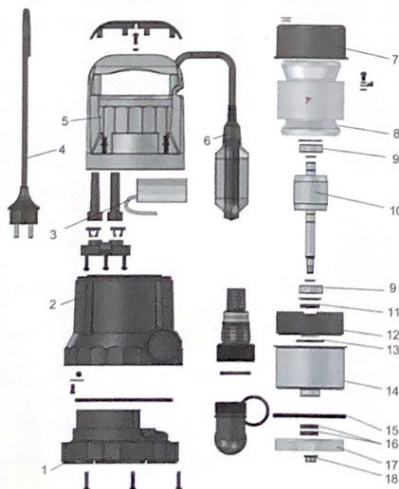
HYDRAULIC PERFORMANCE CURVE



MOTOR

- Motor with aluminum winding
- Built-in thermal protector
- Insulation class: F
- Protection class: IPX8

MODEL	POWER		OUTLET (mm)	MAX.FLOW (L/min)	MAX.HEAD (m)	MAX. IMMERSION (m)
	(W)	(HP)				
EKS-250P	250	0.3	32	75	6	7
EKS-400P	400	0.5	32	125	7	7
EKS-500P	500	0.7	32	150	8	7
EKS-750P	750	1.0	40	175	9	7

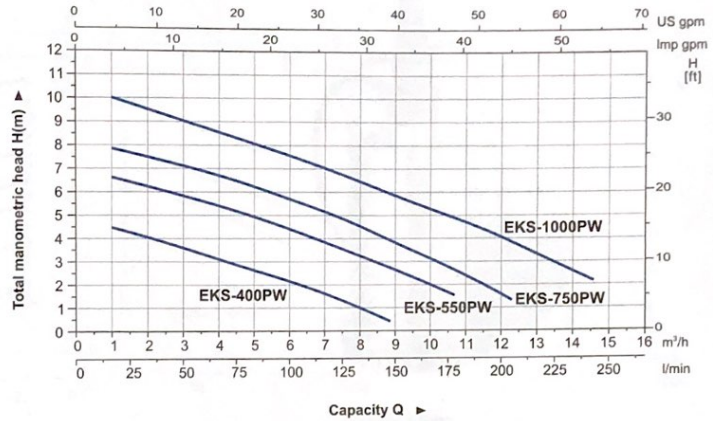


Part		Part	
1	Pump base	16	Lip seal
2	Pump body	17	Impeller
3	Capacitor	18	Nut
4	Cable		
5	Roof		
6	Float switch		
7	Upper cover		
8	Stator		
9	Bearing		
10	Rotor		
11	Lip seal		
12	Bearing seat		
13	O-ring		
14	Stator shield		
15	O-ring		



EKS

HYDRAULIC PERFORMANCE CURVE



APPLICATIONS

- Can be used to transfer clean or dirty water or other liquids similar to water in physical and chemical properties
- Suitable to be immersed in water for lifting water from the well or the pool, and draining water from the basement

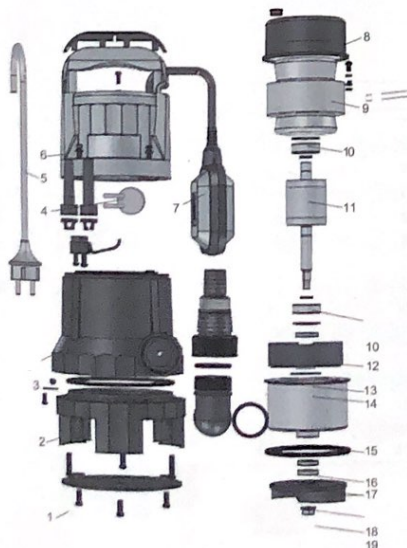
MOTOR

- Motor with aluminum winding
- Built-in thermal protector
- Insulation class: F
- Protection class: IPX8

PUMP

- Engineering plastic pump body
- Float switch ensures automatic cut-in and cut-out
- Max. liquid temperature: +35°C
- Max. immersion depth: 7 m
- Max. diameter of particle: 35 mm

MODEL	POWER		OUTLET (mm)	MAX.FLOW (L/min)	MAX.HEAD (m)	MAX. IMMERSSION (m)
	(W)	(HP)				
EKS-400PW	400	0.5	32	125	5	7
EKS-550PW	550	0.7	32	175	7	7
EKS-750PW	750	1.0	40	225	8	7
EKS-1000PW	1000	1.3	40	250	11	7



Part		Part	
1	Base plate	16	O-ring
2	Pump base	17	Lip seal
3	Pump body	18	Impeller
4	Capacitor	19	Nut
5	Cable		
6	Roof		
7	Float switch		
8	Upper cover		
9	Stator		
10	Bearing		
11	Rotor		
12	Lip seal		
13	Bearing seat		
14	O-ring		
15	Stator shield		